

## Guidelines for installation Hints for installing solid sheets

PLEXIGLAS® XT  
PLEXIGLAS RESIST®  
PLEXIGLAS® GS



**What's more, users of transparent, clear grades of PLEXIGLAS® benefit from the 30-year guarantee – No yellowing with PLEXIGLAS®!**

Subject to the conditions in our guarantee statement, which you can obtain from your PLEXIGLAS® supplier, request from us or read and print out from the Internet at [www.plexiglas.net](http://www.plexiglas.net).

# Preliminary remarks

## Contents

	Page
Products and properties	3
Design hints	4
Physical forms	5
a) Changes in length and allowance for expansion	5
b) Sealing sections and corner joints	6
c) Fastening methods	7
d) Contact pressure	8
e) Types of glazing	9
f) Standard details	10/11
Applications	12
a) Flat roof and vertical glazing	14
b) Secondary glazing	15
c) Roof glazing with barrel vaults	17
d) Balcony guards and staircase balustrades	20
e) Walkable floor glazing	22
Fire rating	23
Cleaning and care	23

You can find our Distributors / Suppliers at  
[www.plexiglas.net](http://www.plexiglas.net).

- This brochure describes glazing applications for solid sheets according to our table of contents. Details concerning transparent noise-control barriers with PLEXIGLAS SOUNDSTOP®, as well as PLEXIGLAS® SP multi-skin sheets and PLEXIGLAS® WP corrugated sheets or other applications are discussed in separate leaflets which are available from your stockist
- Additionally, our leaflet entitled "Handling Tips" (Ref. No. 311-5) informs you on the preparatory work and skilful execution of glazing work with PLEXIGLAS®.
- Apart from the recommendations given in this brochure, for which we assume no legal responsibility, you must observe any standards or codes of practice which apply to the use of our products.
- This document supersedes all previous guidelines for installation of solid sheets.

## Products Properties

### PLEXIGLAS® XT

Extruded acrylic (= PMMA = polymethyl methacrylate) sheets

### PLEXIGLAS RESIST® 1)

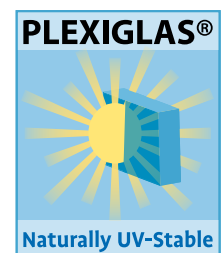
Extruded sheets of impact-modified acrylic

### PLEXIGLAS® GS

Acrylic sheets cast between glass plates

PLEXIGLAS® is a break-resistant safety glazing material of supreme weather resistance. We guarantee that clear, transparent PLEXIGLAS® will show no yellowing and will retain a high level of light transmission for 30 years. It is highly light-transmitting (92% in Clear at 3 mm thickness). The special grade PLEXIGLAS® XT 24370 is also UV-transmitting. The IR-reflecting material PLEXIGLAS HEATSTOP® XT offers advantages of quite a different nature; used for domed or continuous roof lights, it lets in daylight whilst reducing undesired heat buildup indoors. PLEXIGLAS® is very light in weight; a sheet 3 mm thick and measuring one meter square weighs only just 3.6 kg. PLEXIGLAS® can be cold-curved, but certain minimum radii have to be observed.

A particularly break-resistant material during handling, fabricating, installation and in use is impact-modified PLEXIGLAS RESIST®.



Natural protection against yellowing and light loss. Together with light and warmth, the sun also emits UV radiation. The dangerous portion of this UV light that reaches the earth is growing as a result of the hole in the ozone layer. PLEXIGLAS® consists of extremely strong, UV-stable molecular chains through and through. Special NATURALLY UV-STABLE technology stabilizes PLEXIGLAS® completely from within. This means the entire sheet is protected, not just the surface, providing maximum protection against UV radiation, yellowing and light loss.

<sup>1)</sup> Europ. Patent EP 776 931

# Physical forms

## Physical forms

	Textures	Colors	Sizes (mm)	Thicknesses (mm)
PLEXIGLAS® XT, PLEXIGLAS RESIST®	–	Clear, White and different colors	up to 4,050 x 2,050	1.5 to 25
PLEXIGLAS® XT textured sheets <sup>1)</sup>	E, TK, CL, W, R, B, P, Z	Clear, Grey and Brown	up to 3,050 x 2,050	3 to 8
PLEXIGLAS® GS	–	Clear, White, and many different colors	up to 3,050 x 2,030	1.5 to 25
PLEXIGLAS® GS textured sheets	TU, SW	Clear, Grey and different colors	up to 3,050 x 2,030	4 and 6

<sup>1)</sup> For details on e. g. textured sheets and the types of texture, ask your stockist for leaflets or swatches.

# Design hints

## a) Changes in length and allowance for expansion

Fig. 1: Heat expansion and cold contraction

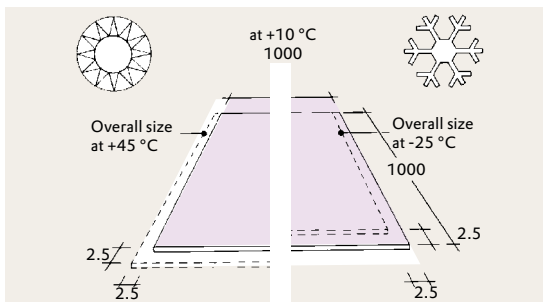


Fig. 2: Example of a metal supporting member

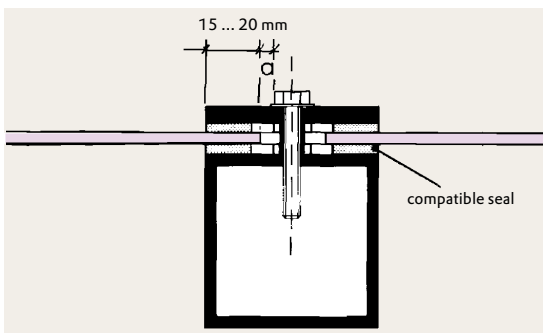
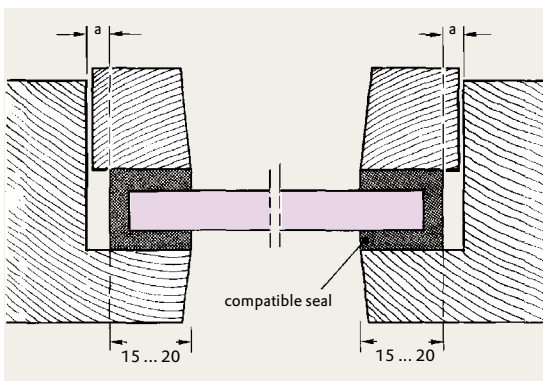


Fig. 3: Example of a wooden frame



PLEXIGLAS® sheets expand due to heat and/or moisture and contract in a cold and/or dry climate. Therefore, the fastening systems must be able to yield, so as to allow the sheets to move. The sheet lengths are to be measured in such a way that the sheets cannot slip out of the glazing sections when they are cold. On the other hand, the material must be able to expand unhindered when it is warm in order to rule out damage due to buckling, for example. Assuming an ambient temperature of 10 °C on installation, the sheets will contract up to 2.5 mm per metre in the cold (Fig. 1). For their expansion due to heat **and** moisture a **general allowance** should be made of

**5 mm/m for PLEXIGLAS® (\*),**

which is the distance to the “clear cross-section” of the frame. Because of the possible change in length, the clamping depth of the glazing should be between 15 and 20 mm. In addition, there is to be a clearance “a” for expansion and compensation for building tolerance. The value “a” depends on the sheet size and corresponds to one half of the general expansion allowance calculated as above (Fig. 2 and 3).

(\* In comparison with basic grades of PLEXIGLAS®, PLEXIGLAS RESIST® sheets, as a result of their increased break resistance, are less rigid and more prone to expand in heat and moisture:

**6 mm/m for PLEXIGLAS RESIST® 65 and 75,**  
**8 mm/m for PLEXIGLAS RESIST® 100**

## (b) Sealing sections and corner joints

Fig. 4: Different seal sections

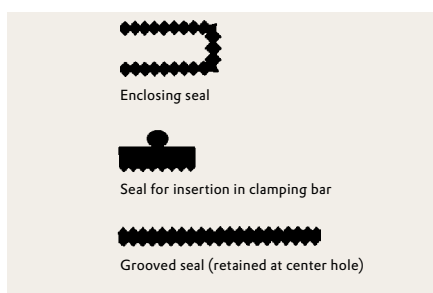


Fig. 5: Continuous vertical seal with recesses and overlapping horizontal seals draining into the vertical ones

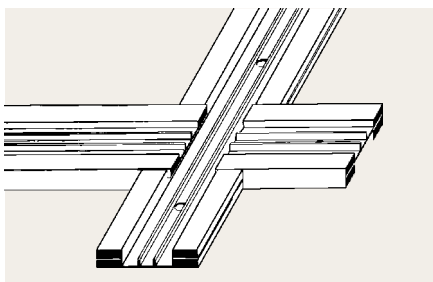


Fig. 6: Welded or corner-vulcanized seals

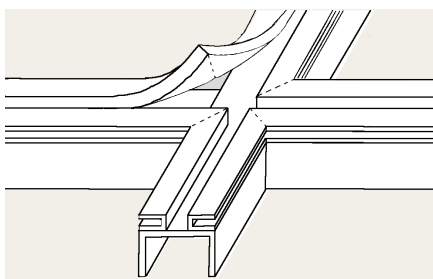
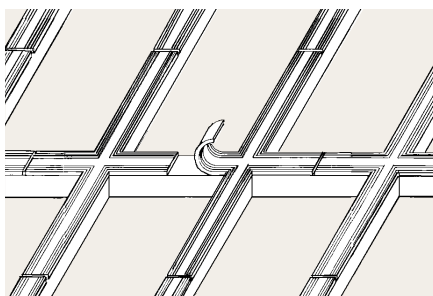


Fig. 7: Prefabricated gasket corner sections molded on to straight sections



The sealing sections used determine the watertightness of glazing with PLEXIGLAS®. Particularly important is the material they are made of. PLEXIGLAS® is sensitive to certain sealants, which should therefore always be tested for **compatibility**.

Normally suitable:

- EPDM
- polychloroprene
- PE, PTFE, PA
- silicone rubber

Nearly always harmful:

- plasticized PVC
- polysulphides
- PUR foams

The sealing sections must be able to balance the changes in length of PLEXIGLAS® and have to be designed accordingly. **They have to be mechanically secured against slipping out. Bonding is not enough** (Fig. 4)!

The sheets can be additionally sealed with compatible silicone (e.g. KÖDISIL® HAC, SILPRUF, or the like) where this is required or where a gasket is to be held in place. In this case the sheets should not exceed "door panel size".

Corner joints of the seals

Joints and corners of the seals frequently constitute the weak points of glazing in terms of water tightness. Depending on the requirements, the joints should be designed as follows:

- continuous vertical seals with recesses and overlapping horizontal seals which drain into the vertical ones (Fig. 5)
- welded or corner-vulcanized seals (Fig. 6)
- preformed corner sections molded on to straight sections (Fig. 7)

## c) Fastening methods

Structural components made of PLEXIGLAS® can be fastened pointwise or linearly.

Pointwise fastening is suitable for

- small glazing areas,
- irregularly curved glazing,
- inherently stable items, e.g. domed roof lights or thick sheets.

Fig. 32 and 33 show drill holes and screwed connections designed for use with PLEXIGLAS®.

**As a general principle, linear fastening is to be preferred** since the load conditions are more favorable in this case and thinner sheets can be used as a result. The allowance to be made for expansion is again 5 mm/m for PLEXIGLAS® (PLEXIGLAS RESIST® 6 resp. 8 mm/m).

The linear fastening method is particularly suitable for

- large glazing areas,
- regularly curved glazing,
- cold-curved glazing elements.

In the case of linear fastening, **the change in length is balanced by the sheets sliding in between the seals or by flexing of the seals.** This edge fastening system has to be watertight without being so rigid as to prevent the sheets from moving. Linear fastening has the advantage that the forces resulting from the loads (dead weight, wind, snow) are evenly distributed over the supports. The figures (Fig. 8 to 10) show further details and examples of linear fastening.

Fig. 8: **Linear fastening** usually takes the form of "patent glazing". This consists of the following items:

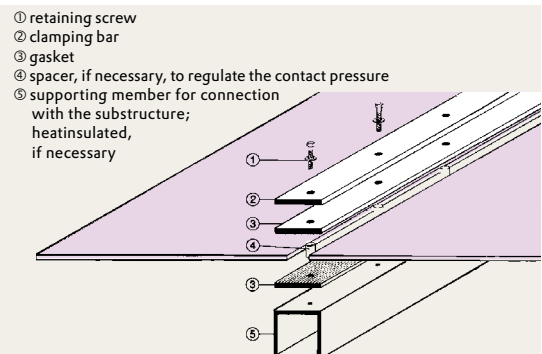


Fig. 9: A **simpler design** can be used where the requirements in terms of tightness and heat insulation are less stringent:

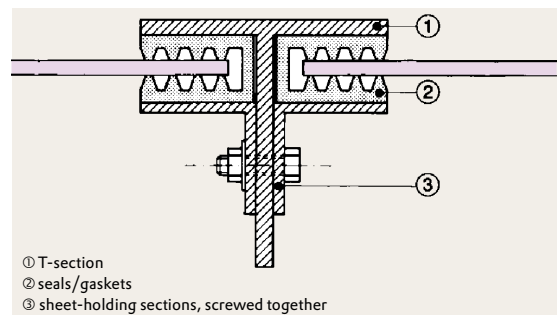
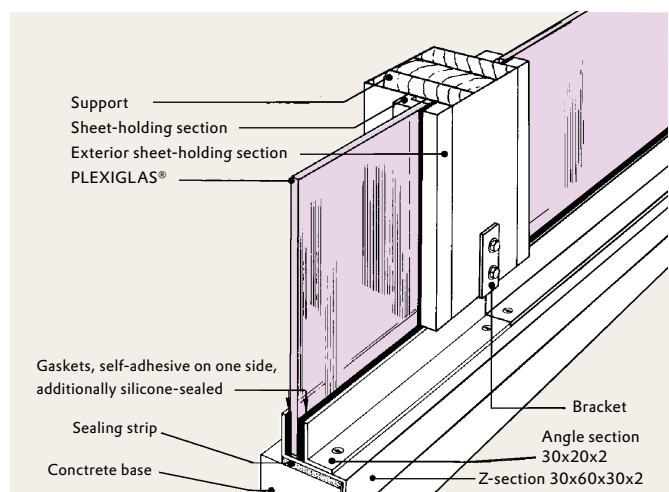


Fig. 10 Structure of **vertical glazing**



## d) Contact pressure

Fig. 11: Optimized clamping system

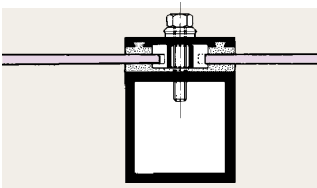


Fig. 12: Too high clamping pressure

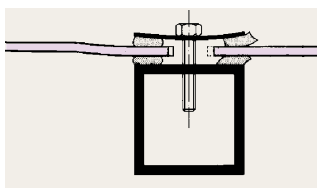


Fig. 13: Spacer sleeve  
(also for edge protection)

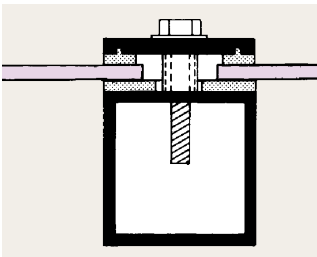


Fig. 14: Set screw with limited thread  
(economical standard component)

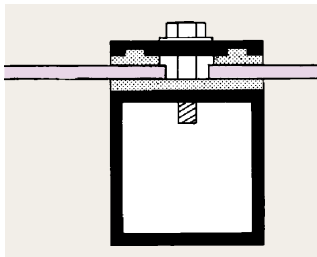


Fig. 15: Screw channel in supporting structure (accurately dimensioned screw)

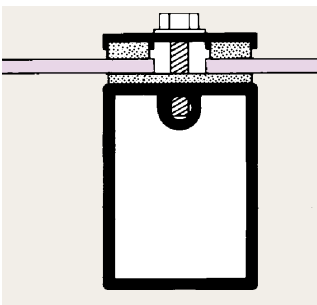


Fig. 16: Rod threaded at both ends

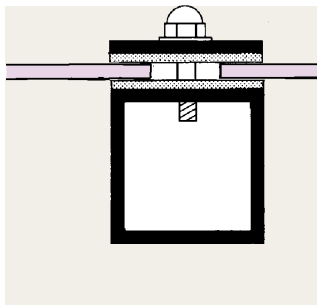


Fig. 17: Threaded rod screwed against buttress beam of identical length (with cap nut)

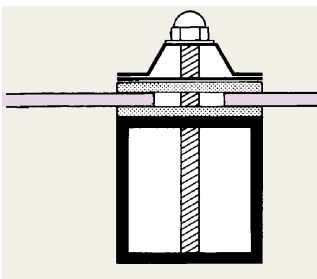
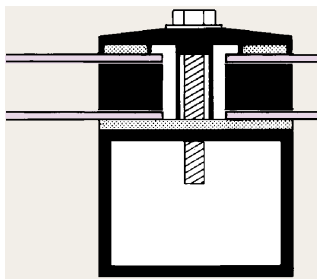


Fig. 18: Clamping system with screw channel serving as spacer



An important aspect with all constructions is the contact pressure, i.e. the force produced by the screw and transmitted to the elastic sealant via the fastening elements.

This pressure must be calculated in such a way that adequate tightness is achieved while the sheets can still slide in response to linear thermal expansion (Fig. 11). If the contact pressure is too high, this may be detrimental to the system. Since the pressure affects above all the weakest link in the fastening system, the elastic seal becomes excessively compressed, whereupon the clamped PLEXIGLAS® sheets can no longer move properly. Depending on the construction and the materials and sealants used for the fastening system, upsetting deformation and buckling occur or the seals are displaced. Thus it may happen that the movement of the sheets causes the seals to slip out of the frames and lose their tightening function (Fig. 12). Apart from that, excessively compressed seals quickly lose their elasticity and thereby also their sealing function (cf. (b) "Sealing sections").

The structural means shown schematically can be recommended for regulating the contact pressure (Fig. 13 to 18).



## e) Types of glazing

### Single glazing

#### Applications

- Windows, doors and indoor partitions
- Guards
- Overhead glazing outdoors
- Noise-control barriers
- Safety glazing
- Sight screens.

Single glazing is above all used in areas where protection against the weather is required, but no heat insulation (Fig. 19).

### Double and multiple glazing

Double and multiple glazing is installed to satisfy special requirements in terms of heat or sound insulation (Fig. 20 to 22).

Thin sheets of PLEXIGLAS® can be formed with ease. Adequate stability can be achieved by uniaxial (usually cold) or biaxial (always warm) curving of the sheets. Bending of the sheet edge to a right angle provides extra stability, so that even large areas can be double- or multiple-glazed. Therefore multiple glazing of PLEXIGLAS® is particularly suitable for constructions which are designed to be curved (domes, barrel vaults, cones, etc.)

### Joining of sheets

The individual sheets are glued to strips of PLEXIGLAS® or light metal sections at the edges, e.g. using compatible double-sided adhesive tape (Fig. 22), or else they are clamped directly as shown in Fig. 20 and 21.

Since PLEXIGLAS® is somewhat permeable to water vapor, double or multiple glazing has to be vented towards the outside, so as to rule out condensate formation as far as possible or else to expel the moisture again. The same applies to rebates. At the lower end of the glazing, holes must be provided for venting and drainage: detail A in the figure showing a longitudinal section through the front end of a double-layer barrel vault (Fig. 22).

Fig. 19: Single glazing

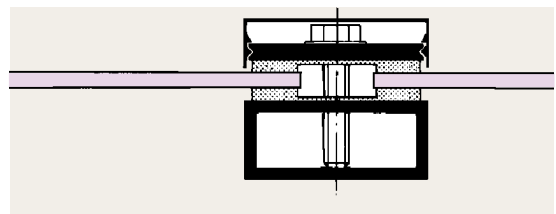


Fig. 20: Double glazing with spacer strip

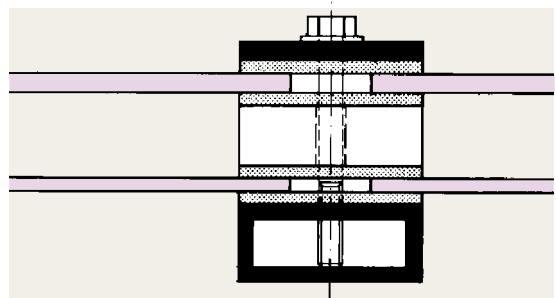


Fig. 21: Double glazing mounted from both faces

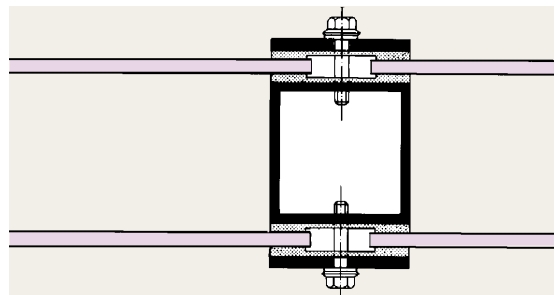
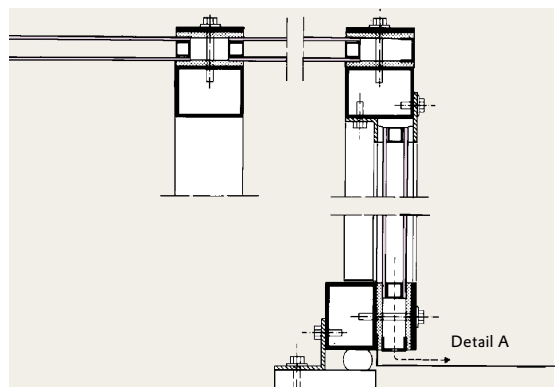
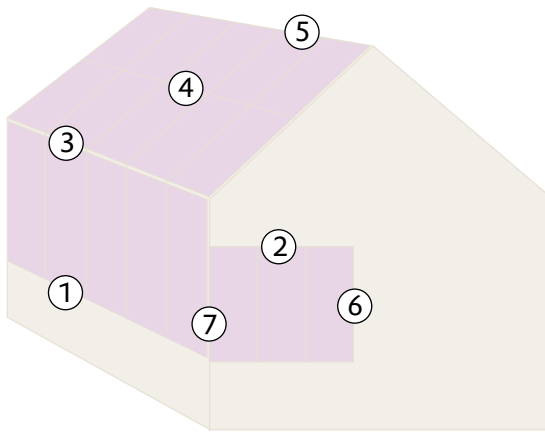


Fig. 22: Front end of double-layer barrel vault with spacer sections

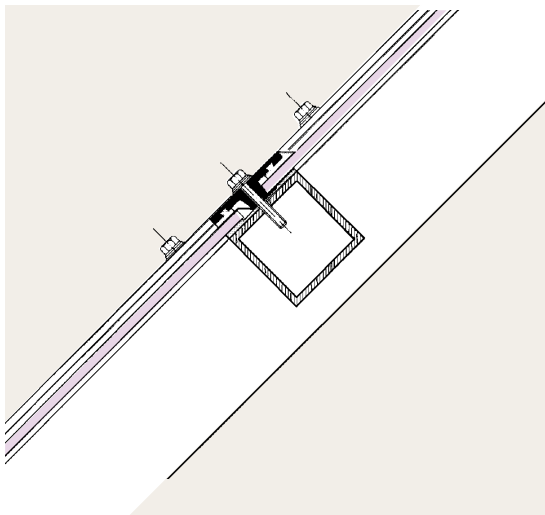


## f) Standard details

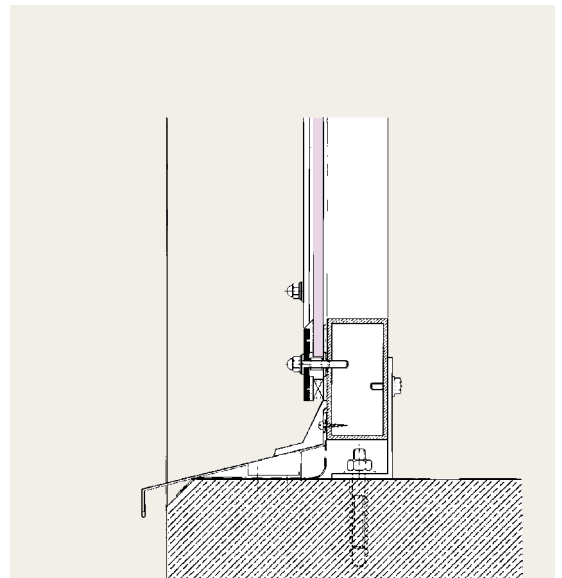
Our pictures show typical examples of assembly details which suit the special character of PLEXIGLAS® sheets (principles only, not product recommendations).



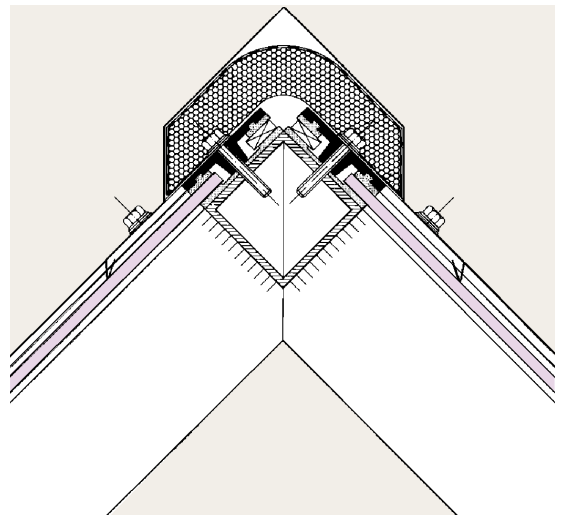
- ④ **Sloping glazing, horizontal joint**
- Contact pressure regulated via projecting screw channel
  - Seal with sloping face protects against stagnant water
  - Baffle plate to guide water extends over second sealing plane
  - Allow adequate room for expansion at the sheet



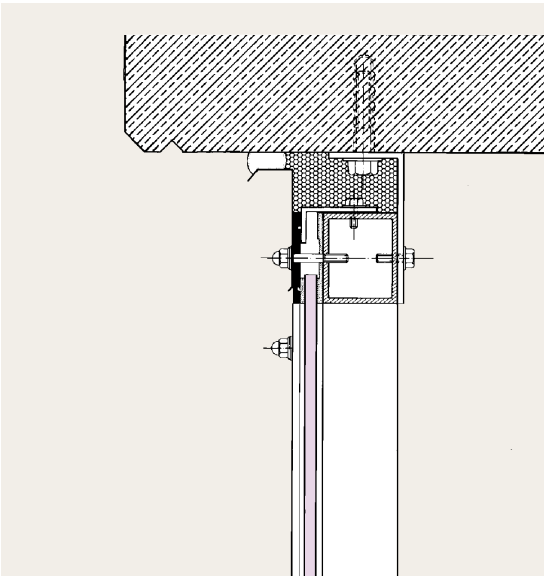
- ① **Vertical glazing, lower end**
- Contact pressure regulated via spacer sleeve over threaded rod
  - Spacer sleeve also protects sheet edges against sharp thread
  - Weather seal with a sloping face protects against stagnant water
  - Condense drainage via spacer strip
  - Baffle plate all across glazing bar guides water



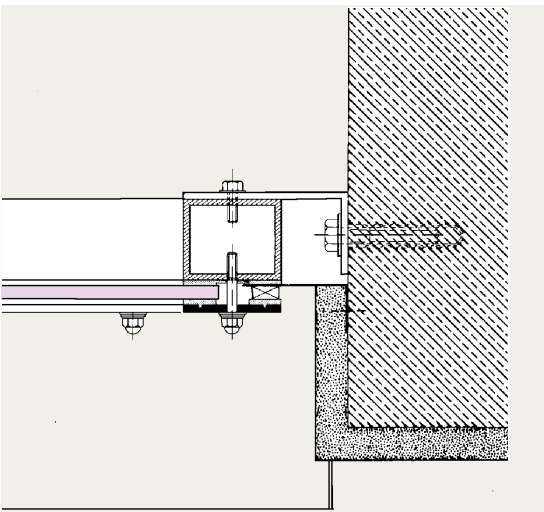
- ⑤ **Sloping glazing, ridge**
- Contact pressure regulated via projecting screw channel
  - No cold bridges because of insulation
  - Allow enough room for expansion of the sheet



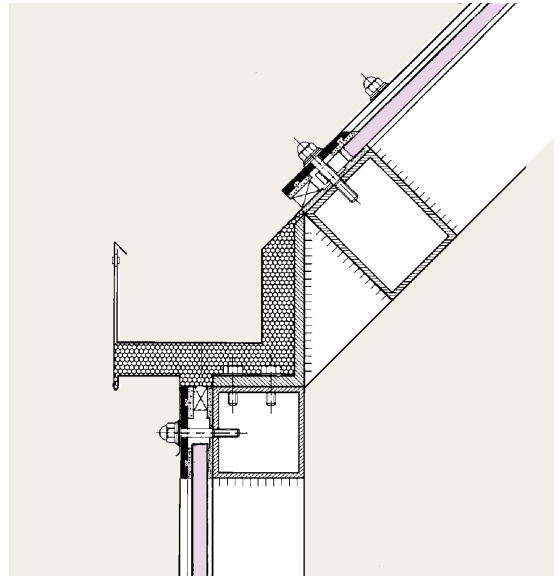
- ② **Vertical glazing, upper connection**
- Contact pressure regulated via threaded rod and cap nut
  - Allow enough room for expansion at the sheet



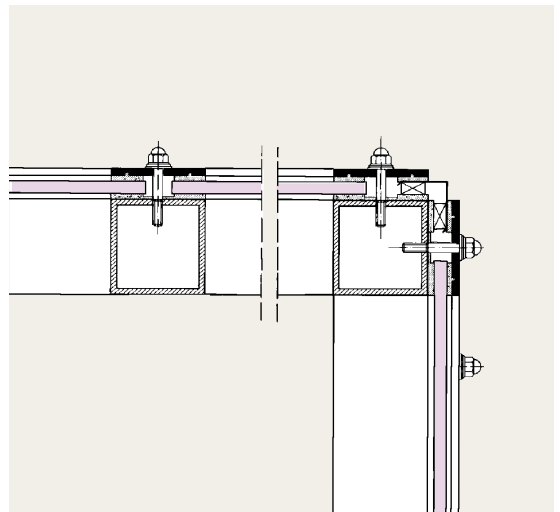
- ⑥ **Vertical glazing, lateral connection**
- Contact pressure determined by threaded rod and cap nut



- ③ **Sloping glazing, eaves over vertical glazing**
- Contact pressure regulated via limited thread of a threaded rod plus cap nut
  - Threaded rod penetrates shim



- ⑦ **Vertical glazing, corner connection**
- Contact pressure determined by threaded rod and cap nut
  - Angle section covers corner



# Applications

The details described so far open up a wide variety of applications. PLEXIGLAS® sheets are the materials of choice wherever windows, doors, gates, guards and roofs call for break-resistant to unbreakable or lightweight glazing.

PLEXIGLAS® GS resp. XT e.g. for heat-insulating secondary window glazing in private houses and public buildings, factory units and sports halls; for break-resistant glazing in curtain walls and glazed openings for industrial, commercial and agricultural use, within sports complexes (safety glazing for ice hockey rinks from 12 mm in PLEXIGLAS® XT and 6 mm in PLEXIGLAS RESIST® 65, -75 and -100) and for dance floors.

PLEXIGLAS RESIST® e.g. as secondary glazing in private houses, public buildings, factory units and sports halls, schools, kindergartens, bus shelters; as anti-burglar glazing in shop windows of jewelers, furriers, carpet and gun dealers; as a safeguard against vandalism and terrorist attack.

PLEXIGLAS® XT textured sheets are particularly suitable for applications which require transparency to light but not to the view, e.g. in balcony guards, staircase balustrades, door panels and partitions.

On the special requirements to be met by our glazing materials, "UV protection" and "Protection against attack", follow two separated remarks.

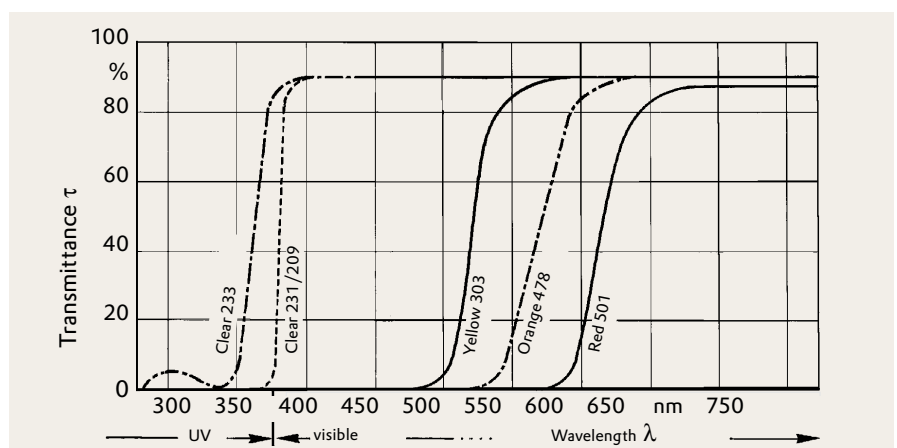
## UV protection

If light-sensitive exhibits like paintings, drawings, prints, stamps, textiles, leather etc. are exposed to daylight, they may be permanently harmed by fading, yellowing or embrittlement. Since the short-wave, ultraviolet portion of the illuminating radiation is primarily responsible for these effects, replacement or secondary glazing with a UV-filter effect – instead of or additionally to conventional mineral glazing with a permeability of about 15% – serves a protective function here.

On the other hand, however, the wavelength of 380 nanometers which is regarded as the end of the ultraviolet range does not constitute a sharply defined boundary between photochemical attack and safety of the irradiated material, so that filter glazing whose permeability begins at longer wavelengths in the visible range affords much better protection. Such glazing sheets are then no longer clear-transparent but of a yellowish-orange color. The table presents a few PLEXIGLAS® grades whose UV permeability is particularly low.

Owing to their reflex-scattering effect, sheets of PLEXIGLAS Gallery® AR (= antireflective) are used for picture glazing with the picture directly behind. A figure illustrates the increased protection afforded by some transparently colored PLEXIGLAS® GS grades (Fig. 23).

Fig. 23: Spectral transmittance values  $\tau(\lambda)$  of different colored grades of PLEXIGLAS® GS; thickness 3 mm



Grade	UV permeability (global radiation) %	
PLEXIGLAS® GS	Clear 209	9
	Clear 231	<1
	White 010	<1
	White 060	<1
PLEXIGLAS Gallery®	Clear 21570 AR	<1
PLEXIGLAS® XT	White 05070	4

Conclusion: **PLEXIGLAS® GS Clear 231 or PLEXIGLAS Gallery® Clear 21570 AR afford very good protection against UV radiation, whereas PLEXIGLAS® GS Yellow 303 is completely UV-absorbing.**

#### Protection against attack ("safety glazing")

Glazing protecting against attack has been standardised to DIN 52 290 <sup>1)</sup>; procedures are running for standardisation throughout Europe. It is defined as a translucent or transparent material based on glass or plastics, single- or multilayer, which offers resistance to violent attack.

The different types of attack and the corresponding resistance classes are described in parts 2 to 5 of this standard. Table 1 shows which of our semifinished products have been successfully tested for certain resistance classes:

**Table 1: PLEXIGLAS® grades tested for use in glazing protecting against attack**

DIN 52290	Resistance class	Sheet material with test certificate	Testing institute
Part 1: <b>Terms</b>			
Part 2: <b>Anti-bullet glazing</b>  Anti-bullet glazing impedes the penetration of ammunition  Category: C	C1	PLEXIGLAS® GS 222, 40 mm	Beschussamt D-89081 Ulm
	C2	PLEXIGLAS® GS 222, 60 mm	
	C3	-	
	C4	-	
	C5	-	
Part 3: <b>Glazing impeding breakthrough</b> Category: B	(at the moment no test reports existing)		
Part 4: <b>Glazing resistant to thrown objects</b> Category: A			
Part 5: <b>Glazing reducing explosive effects</b> Category: D			

<sup>1)</sup> DIN standards are available from Beuth Verlag, Burggrafenstraße 6, D-10243 Berlin

# Applications

## (a) Flat roof and vertical glazing

The required thickness of PLEXIGLAS® sheets depends on

- the envisaged use
- the rebate depth (= clamping depth plus half allowance for expansion; see "(a) Changes in length and allowance for expansion")
- the sheet size
- the snow and wind loads to be assumed for a given location (e.g. to DIN 1055).

For flat sheets that are clamped all around, the thickness can be taken from Tables 2a and b. To this end look at Table 2a first and read the area factor (letter) corresponding to the given length and width. Together with the load this leads to the recommended thickness in Table 2b.

Table 2a: Calculation of the area factor

		Length or width in m																				
		0.25	0.50	0.75	1.00	1.25	1.50	1.75	2.00	2.25	2.50	2.75	3.00	3.25	3.50	3.75	4.00	4.25	4.50	4.75	5.00	
Length or width in m	0.25	A	A	A	A	A	A	A	A	A	A	A	A	A	A	A	A	A	A	A	A	
	0.50	A	B	C	D	D	D	D	D	D	D	D	D	D	D	D	D	D	D	D	D	D
	0.75	A	C	E	F	G	G	G	G	G	G	G	G	G	G	G	G	G	G	G	G	G
	1.00	A	D	F	H	I	I	K	K	K	K	L	L	L	L	L	L	L	L	L	L	L
	1.25	A	D	G	I	K	L	M	N	N	O	O	O	O	O	O	O	O	O	O	O	O
	1.50	A	D	G	I	L	N	O	P	Q	Q	Q	R	R	R	R	R	R	R	R	R	R
	1.75	A	D	G	K	M	O	Q	R	S	T	T	T	U	U	U	U	U	U	U	U	U
	2.00	A	D	G	K	N	P	R	S	T	U	V	V									

Table 2b: Calculation of the sheet thickness in mm; above PLEXIGLAS® GS and XT, below PLEXIGLAS RESIST® 65

		Area factor (from table 2a)																				
		A	B	C	D	E	F	G	H	I	K	L	M	N	O	P	Q	R	S	T	U	V
Load in N/m²	600	2	3	3	4	4	5	5	6	6	8	8	8	8	10	10	10	10	12	12	15	15
	750	2	3	4	4	5	5	6	6	8	8	8	8	10	10	10	12	12	12	12	15	15
1500	960	3	3	4	4	5	5	6	6	8	8	10	10	10	10	12	12	12	15	15	15	15
	1500	3	4	5	6	6	8	8														
2000	1500	3	4	5	5	6	6	8	8	10	10	12	12	12	12	15	15	15	15	20	20	20
	2000	4	5	6	8	8																
3000	2000	4	4	5	6	6	8	10	10	10	12	12	12	15	15	15	15	20	20	20	20	20
	3000	4	6	8	8																	
	3000	4	5	6	8	8	8	12	12	12	15	15	15	15	20	20	20	20	20	25	25	25
		5	8																			

The upper value applies to PLEXIGLAS®, the lower one to PLEXIGLAS RESIST® 65. In this case a deflection of 1/50 of the sheet width (= 2%) – a permissible value for plastics – is not exceeded, so that aesthetic appearance and economy are guaranteed.

Moreover, the recommended thicknesses are calculated so as not exceed the maximum permissible material stress of 10 MPa at the given load.

The data are based on calculations, experimental results and long-term experience.

Where written proof is required in individual cases, a structural engineer has to be entrusted with the static calculation.

**Example:** A roof with an expected snow load of 750 N/m<sup>2</sup> is to be glazed with sheets 3 m long and 0.75 m wide. According to Table 2a, these dimensions lead to an area factor G which together with the load in Table 2b shows this result:  
6 mm thickness for PLEXIGLAS® GS / XT or  
8 mm for PLEXIGLAS RESIST® 65.

#### Exceptions:

- If the sheets are **clamped at the long sides only**, the **second next highest sheet thickness** according to Table 2b should be used, e.g. 8 mm instead of 5 mm, 15 mm instead of 10 mm etc., to be on the safe side.
- Where the main reason for choosing for PLEXIGLAS RESIST® is protection against vandalism, and as **long as increased deflection is no problem**, the sheet thickness according to Table 2b **can be fallen short of** if the **rebate depths are increased** at the same time (see "Secondary glazing").

#### (b) Secondary glazing

Secondary glazing means glazing installed in front of or behind existing wall, door and window glazing. Although it also serves for heat and sound insulation, its main purpose is usually to protect against damage caused by unruly children and youngsters,

carelessness, shock, stones thrown against it, acts of vandalism etc. (see also "Protection against attack"). Since this calls for a very impact-resistant material, we recommend PLEXIGLAS RESIST®.

#### Against break-ins:

- A second glazing sheet of PLEXIGLAS RESIST® on the inside of the existing glazing: The burglar, having damaged the glass pane, is confronted with impact-resistant PLEXIGLAS RESIST® which offers remarkable resistance against his standard tools.

#### Against aggression, vandalism and terrorism:

- A second outer pane of PLEXIGLAS RESIST® affords superior protection against hurled objects or impact stress of windows in private and public buildings and churches, for example: The impact-resistant PLEXIGLAS RESIST® sheet wards off things thrown or hit against it and prevents the glass behind it from breaking.

Normally a rebate depth of 25 mm is adequate for this purpose.

Given substantial rebate depths, or if the sheets are additionally secured by screwed connection with the frame, the thickness according to Tables 2a/b may be reduced. Since glazing installed mainly to ward off attacks may yield more strongly than "ordinary" window glazing, the thickness of the PLEXIGLAS RESIST® sheets can remain one or two steps below the tabulated value (e.g. 6 or 5 mm instead of 8 mm).

PLEXIGLAS RESIST® sheets that are installed in front of existing glazing should be spaced at about 60 to 70 mm in order to be able to flex freely after an impact without damaging the glass. This applies to PLEXIGLAS RESIST® sheets of size 2,000 x 1,200 mm and 8 mm thick, for example.

# Applications

Fig. 24: PLEXIGLAS RESIST® secondary glazing:  
Principle sheet inside, clamped onto wooden frame

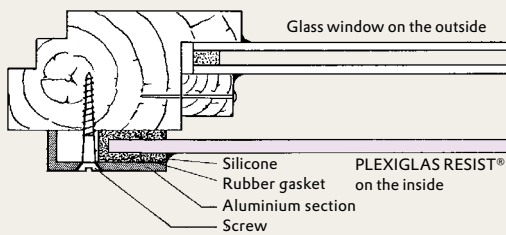


Fig. 25: PLEXIGLAS RESIST® secondary glazing:  
Principle sheet inside, clamped onto metal frame

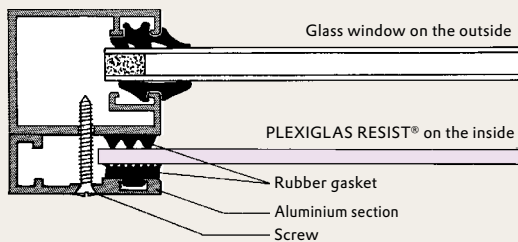


Fig. 26: PLEXIGLAS RESIST® secondary glazing:  
Principle sheet outside, clamped onto wooden frame

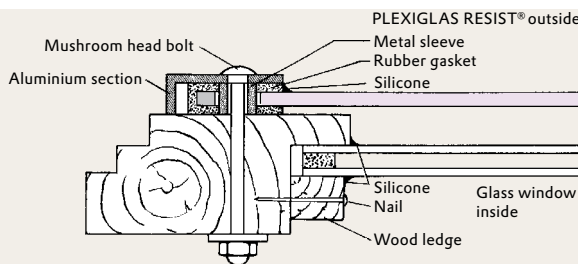
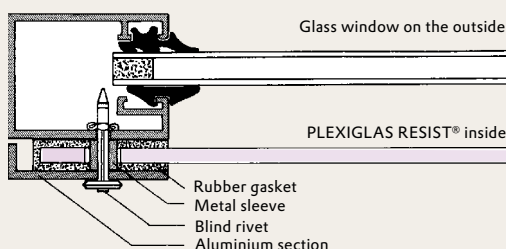


Fig. 27: PLEXIGLAS RESIST® secondary glazing:  
Principle sheet inside, riveted/clamped onto metal frame



When cutting the sheets to size it must be borne in mind that PLEXIGLAS RESIST® needs an allowance for expansion of c. 6 mm per meter of edge length.

PLEXIGLAS RESIST® sheets are to be provided with an all-around rubber seal, inserted in a clamping frame and then screwed to the door or window frame or anchored in the masonry.

When selecting the seal, care must be taken that it is compatible with PLEXIGLAS RESIST®, which is true of EPDM, for example. The clamping sections used with the PLEXIGLAS RESIST® sheets must be stable enough to resist shock and impact without separating from the existing frames or releasing the sheets. Apart from the clamping sections specially designed for use with PLEXIGLAS RESIST®, commercially available angle sections similar to those shown in the figures can be used (Fig. 24 to 27).



(c) Barrel vaults roof glazing

The barrel vault roofs frequently used in modern architecture are inconceivable without plastics such as PLEXIGLAS®. Since ease of shaping is one of their typical properties, flat sheets can be cold-curved on site (thermoformed items are rarely used for this purpose) over a correspondingly arched supporting structure.

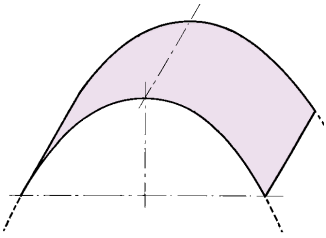
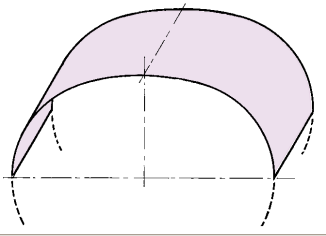
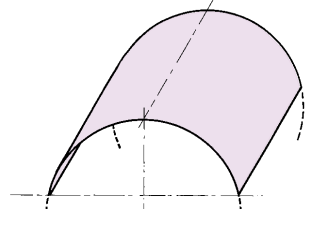
These are the benefits of barrel vaults:

- high loadbearing capacity if curved sheets are clamped all around,

- aesthetic appearance with high light transmission and transparency
- adaptation to virtually any building style
- cost saving due to cold curving.

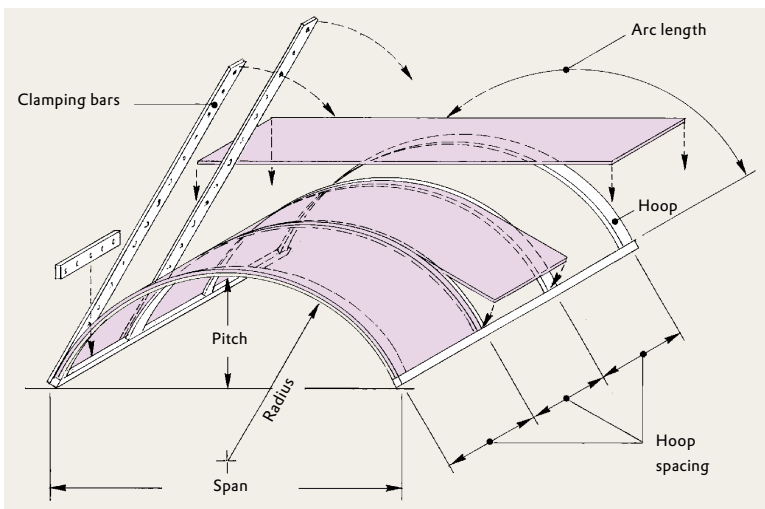
Cold curving can only occur uniaxially. Pyramids, cupolas and the like have to be thermoformed. Uniaxial curving is feasible in different cross-sectional configurations, which have advantages and disadvantages, however. The compromise most often used in practice is barrel vaults in the form of circular arcs with a uniform curving radius.

Fig. 28: Types of arc:

	+	-
<p><b>Parabola, hyperbola</b></p> 	<p>Very good load bearing capacity since stiffest where static loads (snow) act upon it</p>	<p>Complex substructure required</p>
<p><b>Three-centre vault, flat semi-ellipse</b></p> 	<p>(none)</p>	<p>Moderate loadbearing capacity since weakest where static loads (snow) act upon it</p>
<p><b>Circle</b></p> 	<p>Good loadbearing capacity, simple substructure</p>	<p>(none)</p>

# Applications

Fig. 29: Barrel vault: Principle and terms



The figure shows the structural principle of a barrel vault. On the supporting structure, the cut-to-size sheets are cold-curved over correspondingly farmed (metal) hoops and fastened with clamping bars (e.g. screwed down between the sheets) over the length of the arch. The same system is used to fasten the lower ends to the gutter sections. Compatible seals are used in between clamping system and sheet (Fig. 29). Otherwise see "Design hints".

Cold curving generates stress within the material which has to be limited. Therefore it is essential to observe the **minimum cold-bending radius** ( $r_{\min}$ ) specified for a given sheet thickness. The radii applicable to our materials are given in Table 3 or can be calculated according to the equation described below.

**Table 3: Minimum cold-bending radius**

		Minimum cold-bending radius in mm per thickness in mm					
	Equation	3	4	5	6	8	10
PLEXIGLAS® GS and XT	$r_{\min} = 330 \times \text{thickness}$	990	1320	1650	1980	2640	3300
PLEXIGLAS RESIST® 45/65/75/100	$r_{\min} = 300/250/210/170 \times \text{thickness}$	900/ 750/ 630/ 510	1200/ 1000/ 840/ 680	1500/ 1250/ 1050/ 850	1800/ 1500/ 1260/ 1020	2400/ 2000/ 1680/ 1360	3000/ 2500/ 2100/ 1700

In order to design a barrel vault with PLEXIGLAS® one needs to know at least

- **the bending radius (r):**  
if unknown, it can be calculated from the pitch (h) and span (s) according to this equation:

$$r = \frac{h}{2} + \frac{s^2}{8 \cdot h}$$

- **the arc length (b),**  
which can be calculated as follows:

$$b \approx \sqrt{s^2 + \frac{16}{3} \cdot h^2}$$

- **the hoop spacing,**  
i.e. the approximate width of the individual cut-to-size sheets for the vault which, for reasons of material technology, should not be larger than **max. 1,500 mm for all PLEXIGLAS® sheets.**

Once the designer has specified these dimensions, or they have been established on site, or calculated as indicated above, the sheet sizes can be determined taking the following into account:

- the available sizes according to our sales range brochure or as inquired of the stockist, in order to produce a minimum of costly waste;
- the necessary clearance for material expansion.

In the case of barrel vaults with greater arc lengths than the available sheet lengths, the arc has to be divided up (at the ridge or several times) by putting several sheets together with transverse joints. The same clamping systems as for the curved hoops are to be used for the transverse joints and due allowance is to be made for expansion.

The required sheet thickness can be taken from

Table 4a or 4b. The values were calculated with a safety factor of 1.5 against buckling, according to E. R. Berger: "Art approximation formula for the buckling stress on a concentrically compressed arched shell," Beton- und Stahlbau 48 (1953), p. 288. These data are meant as a guideline for our customers. Where proof is required, entrust an engineer with the static calculation.

**Example:** For a barrel vault with a snow load of 750 N/m<sup>2</sup> and a hoop spacing of 1,000 mm at a radius of 3,000 mm, use 5 mm thick PLEXIGLAS® or 6 mm thick PLEXIGLAS RESIST® 65.

**Table 4: Sheet thickness in mm for barrel vaults:  
above PLEXIGLAS® GS and XT, below all grades of PLEXIGLAS RESIST® 65**

a) Wind or snow load (radial pressure) **600 N/m<sup>2</sup>**

Cold-bending radius mm	Hoop spacing in mm				
	500	750	1000	1250	1500
5000	5 5	5 6	6 8	8 8	8 -
4500	4 5	5 6	6 8	6 8	8 8
4000	4 5	5 6	6 6	6 8	8 8
3500	4 4	5 5	5 6	6 8	6 8
3000	4 4	4 5	5 6	5 6	6 8
2500	3 4	4 5	4 5	5 6	5 6
2000	3 3	4 4	4 5	4 5	5 5
1500	3 3	3 4	3 4	4 4	4 5
1000	2 2	3 3	3 3	3 3	3 4
500	- 2	- 2	- 2	- 2	- -

b) Wind or snow load (radial pressure) **750 N/m<sup>2</sup>**

Cold-bending radius mm	Hoop spacing in mm				
	500	750	1000	1250	1500
5000	5 6	6 8	8 8	8 -	8 -
4500	5 5	6 8	8 8	8 8	8 -
4000	4 5	5 6	6 8	8 8	8 -
3500	4 5	5 6	5 6	6 8	8 8
<b>3000</b>	4 5	5 5	<b>5 6</b>	6 8	6 8
2500	4 4	4 5	5 5	5 6	6 6
2000	3 4	4 4	4 5	5 5	5 6
1500	3 3	3 4	4 4	4 5	4 5
1000	2 3	3 3	3 3	3 4	- 4
500	- 2	- 2	- 2	- -	- -

"-" = minimum cold-bending radius is being fallen short of or exceeded for the given hoop spacing

# Applications

## (d) Infill panels for balcony guards and staircase balustrades

Being available in many different colors and thickness, sheets of PLEXIGLAS® GS and XT are often used as infill panels for balcony guards and balustrades. PLEXIGLAS® XT sheets are, moreover, popular for their ten surface textures in thickness up to 8 mm.

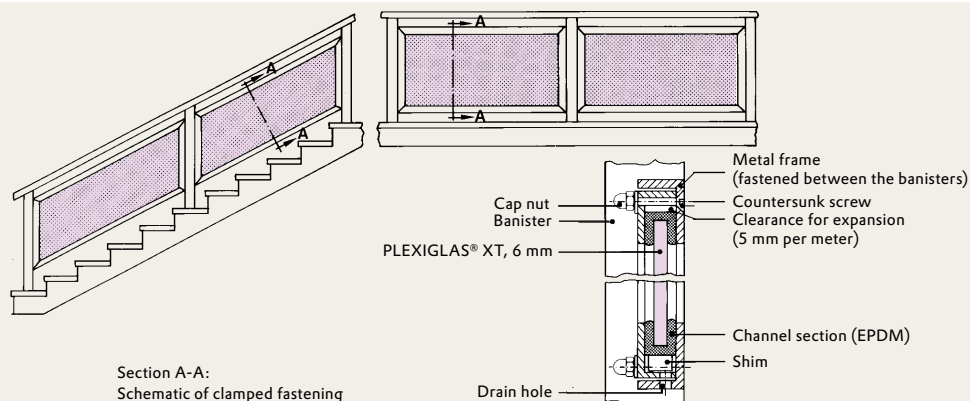
PLEXIGLAS RESIST® sheets are installed where extreme impact strength is required in addition to safety for the users.

- Despite this advantage we recommend choosing somewhat thicker infill panels made of PLEXIGLAS RESIST® than of PLEXIGLAS®, so as to make up for the reduced stiffness of the impact-resistant material.
- The sheet thicknesses recommended here after were determined in a pendulum impact test, striking the infill panel mounted in a sturdy frame with a sand bag. The frame has a major influence on the stability of the structure; hence the need to have it tested under standard conditions by a competent institute.
- Balcony guards and staircase balustrades are subject to building inspectorate regulations, which have to be observed. A balcony infill panel, for example, must be at least 900 mm high.
- Grades of PLEXIGLAS® are “normally flammable”, B 2 to DIN 4102 (Class 3 and TP(b) to British Standards) and as such approved in Germany for use in balcony guards on buildings up to two storeys high.
- PLEXIGLAS® XT sheets with one textured surface are best installed with the texture facing inwards; on the one hand because of the visual effect and on the other hand to make good use of the self-cleaning effect by rain on the outside.

### (1) Clamping all around

- Many users choose standard metal sections for clamping the sheets (Fig. 30). This is possible with PLEXIGLAS® as long as due allowance is made for the change in length and **only sealants compatible with PMMA** are used.
- Commercially available installation kits as shown in figure “Clamping on two sides” are also suitable
- The lower channel sections should be provided with drain holes.
- At a maximum sheet length of 1,500 mm and a height of not more than 800 mm, the minimum required sheet thickness is 6 mm and the minimum rebate depth for the channel sections 20 mm.

Fig. 30: All-round clamping at the sheet edge

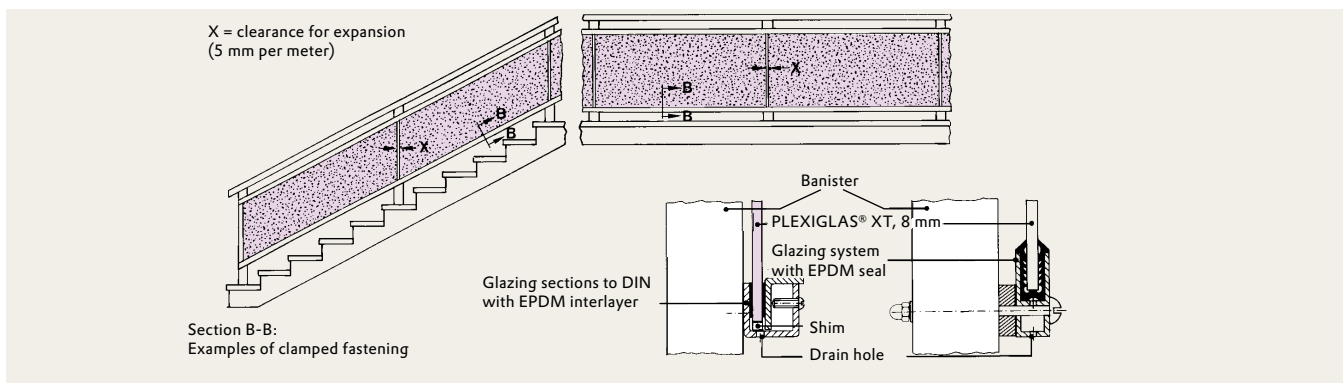


(2) Clamping on two sides

- As regards expansion, sealing, sheet size etc., the recommendations are the same as under (1).
- Given a maximum sheet length of 1,500 mm, for example, and a maximum height of 800 mm, the

- required sheet thickness is 8 mm and the rebate depth of the clamping sections at least 20 mm.
- Cut sheet edges that remain visible should be smoothed with a scraper or chamfered with a file.

Fig. 31: Sheet clamped at two edges

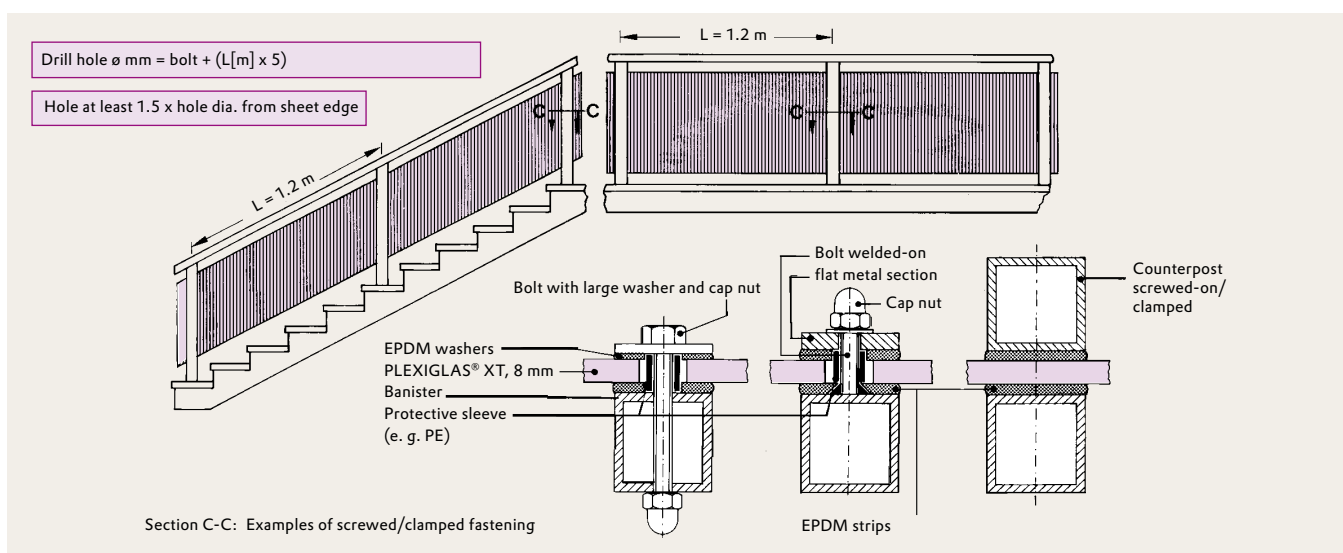


(3) Fastening at banisters

- If the sheets are to be installed between banisters without any further support, the necessary stiffness must be ensured by using sheets of adequate thickness between reasonably spaced banisters.

Banister spacing in m	PLEXIGLAS® GS/XT Sheet thickness in mm
1 ... 1.2	8
1.2 ... 1.5	10
over 1.5	min. 12

Fig. 32: Fastening to banisters

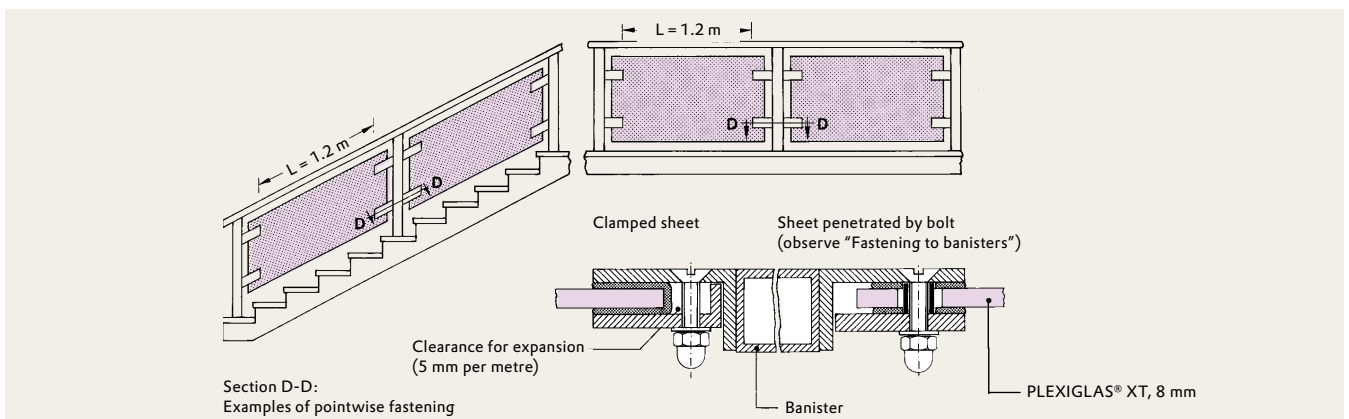


# Applications

Thus, if the banister spacing exceeds 1.2 m, thicker sheets (outside the textured sheet range) have to be used, PLEXIGLAS® XT and PLEXIGLAS® GS sheets are available in thickness of up to 25 mm.

- Since screwed connection of acrylic is only the second-best installation method (after clamping), care must be taken to proceed according to the figure.
- Drill holes must be much larger in diameter than the screw thread.
- Protect the sheet wall inside the drill hole with a compatible sleeve (e.g. polyethylene) around the thread.
- Use large washers with the screws and compatible elastic seals (e.g. EPDM).
- Tighten the screws only to such an extent that the sheets are still able to move.

Fig. 33: Pointwise fastening



## (4) Pointwise fastening

- Where metal tongues are used, the sheets are held in position by bolts and nuts, which either clamp or penetrate them according to the figure.
- Since the sheet will transmit the generated stress irregularly to the supporting balustrade, it is essential to observe every single detail mentioned under „Fastening to banisters“ (text and figure).
- This solution is particularly elegant if the sheet edges are polished.

## (e) Walkable floor glazing

The floors or ceilings of buildings and the floors of balconies which would otherwise cast shadows are sometimes glazed to transmit light, and this glazing must then be walkable. Dance floors, too, are frequently provided with transparent and/or illuminated glazing. PLEXIGLAS® GS sheets or blocks

- are optimally suited for this purpose, because,
  - they are seven times as break-resistant as glass,
  - show outstanding resistance to ageing,
  - are available in many different load-bearing thickness and
  - come in a wide variety of surface textures and colors.

Such floors must be rigid and by no means resilient. What applies in general is that the total surface area has to be divided up into individual elements of reasonable size, a structural engineer has to be entrusted with the calculation of the load bearing substructure as a grid of longitudinal and transverse members. The regional building and fire regulations are to be observed. According to DIN 1055, ceilings, for example, have to be designed for a traffic load of 5,000 N/m<sup>2</sup>, in which case the thickness according to Table 5 are recommended (sheets and blocks of PLEXIGLAS® GS cut to size without any waste):

# Fire behaviour / Cleaning and care

**Table 5: Thickness of walkable cut-to-size sheets or blocks of PLEXIGLAS® GS freely supported all around**

Size Length x Width (mm)	Sheet/block thickness in mm	
	at a max. deflection of c. 1% of width	at a max. deflection of c. 1‰ of width
500 x 500	10	20
1,000 x 500	15	30
1,000 x 1,000	20	40
2,000 x 1,200	30	60

The natural wear occurring when acrylic is walked or driven over can usually be tolerated for such floors, otherwise the scratches can be made invisible by previous dull-grinding (e.g. using an orbital sander and wet abrasive paper). Alternatively, the PLEXIGLAS® GS sheets / blocks can be covered with textured sheets of PLEXIGLAS® XT (e.g. using ACRIFIX® 190 / CATALYST 20 for bonding) over their entire surface area. Scratches become invisible, the slip resistance is improved and the floor can no longer be seen through while remaining light-transmitting.

In the rebates of the supporting grid, which should be about 15 to 25 mm deep, the PLEXIGLAS® GS elements should rest on PMMA-compatible EPDM or polyethylene strips.

For outdoor applications in particular, PMMA-compatible silicone seals, for example, are to be inserted in the expansion joints between the glazing elements and their frames.

## Fire behaviour

- PLEXIGLAS® is rated in Euroclass E to DIN EN 13501 with regard to fire behavior.
- PLEXIGLAS® burns almost without smoke according to DIN 4102 and is easy to extinguish.
- The smoke gases produced by PLEXIGLAS® are not acutely toxic according to DIN 53436 and are non-corrosive according to DIN VDE 0482-267.
- Roof surfaces glazed with PLEXIGLAS® open up by melting in the event of fire and allow smoke and heat to escape.

## Cleaning and care

- Given adequate roof pitch or vertical glazing in residential areas, cleaning on the outside is not required. Dirt is normally washed off by the rain, otherwise hosing down is enough.
- PLEXIGLAS® sheets have smooth surfaces to which dirt cannot adhere. Dust is removed with water to which some dishwashing liquid has been added and with a soft cloth or sponge. Never wipe the material dry and do not use a scouring agent. For thorough cleaning, use ANTISTATIC CLEANING AGENT (Burnus GmbH, Darmstadt), obtainable from your stockist.
- In the case of subsequently installed secondary glazing, the gap between the existing glazing and the PLEXIGLAS® sheets has to be cleaned moist and then dried before it is finally sealed.
- Should there be an unsightly scratch on a sheet of PLEXIGLAS® a rarity with textured sheets this can be removed with ease. Roughgrind the scratched area wet with waterproof sandpaper of, say, grit 240 and fine-grind with grit 400 to 600. Then polish with a soft cloth or buffing wheel, using ACRYLIC POLISHING PASTE (by Burnus) or a commercial car polish.
- Large glazing areas or facades are often cleaned mechanically. None of these methods whether rotating brushes, squeegees or the like – are suitable for PLEXIGLAS®. Even if copious amounts of water are used, the risk of scratching the sheet surfaces cannot be excluded. Commercially available high-pressure hot-water cleaning units, on the other hand, are most suitable. We recommend adjusting the pressure to between 50 and 100 bar and the water temperature to between 50 and 80°C. Add a small quantity of a moderately foaming cleaner concentrate to the wash water via the integrated dosing unit, e.g. BURLANA® by Burnus. Subsequent wiping down is neither necessary nor advisable since the sheet surface dries well enough in air.

® = registered trademark

PLEXIGLAS,  
PLEXIGLAS HEATSTOP,  
PLEXIGLAS RESIST,  
PLEXIGLAS Gallery,  
PLEXIGLAS SOUNDSTOP,  
ACRIFIX

are registered trademarks of  
Evonik Röhm GmbH, Darmstadt, Germany.

Certified to DIN EN ISO 9001 (quality)  
and DIN EN ISO 14001 (environment)

This information and all further technical advice is based on our present knowledge and experience. However, it implies no liability or other legal responsibility on our part, including with regard to existing third party intellectual property rights, especially patent rights. In particular, no warranty, whether express or implied, or guarantee of product properties in the legal sense is intended or implied. We reserve the right to make any changes according to technological progress or further developments. The customer is not released from the obligation to conduct careful inspection and testing of incoming goods. Performance of the product described herein should be verified by testing, which should be carried out only by qualified experts in the sole responsibility of a customer. Reference to trade names used by other companies is neither a recommendation, nor does it imply that similar products could not be used.

**Important Notice:** This is an international English-language version prepared for several markets. It is essential that the selection of particular materials and their methods of use conform with the requirements of national and local Building Regulations.

Ref. No. 312-1 September 2007  
30/1107/09416 (en)



Business Unit  
Performance Polymers

Evonik Röhm GmbH  
Kirschenallee  
64293 Darmstadt  
Germany

info@plexiglas.net  
www.plexiglas.net  
www.evonik.com

**Evonik. Power to create.**